

Telfer TF-RP1x is a family of multifunction DC protection relays.

Common to all the configurations are the following functions:



- Line protection against failures and overcurrents
- Measure of line voltage and current and of other relevant parameters
- Oscillographic recording of events
- Self diagnostic
- Modbus interface

- Simple user interface thanks to an intuitive set of commands and menus
- Big recording memory
- Alphanumeric display with 2 lines of 16 characters for an easy reading of values and events
- Capture of oscillographic recording of events with pre and post trigger
- Visualization of oscillographic recordings through an external PC
- Wide parametrization allows an easy adaptation to the installation requirements
- Continuous self test with remote signalling of malfunctions

Device	Functions	Inputs
TF-RP12	76	Max current ±0-20mA (Function 76)
	32	Reverse current ±0-20mA (Function 32)
	64	Switchboard/Cable earth ±0-20mA (Function 64). TA through TFC or TFCB
TF-RP13L	76	Max current ±0-20mA (Function 76)
	76'	Max current -10 In input ±0-20mA (Function 76')
	64	Switchboard/Cable earth ±0-20mA (Function 64). TA through TFC or TFCB
		High speed breaker diagnostics
		Inhibition of functions after breaker closure
		Thermal image protection of the cable/line
		Max current variation di/dt relate
	Max I ² t	
TF-RP14	64	Switchboard/Cable earth ±0-20mA (Function 64). TA through TFC or TFCB
	64	Switchboard/Cable earth ±0-20mA (Function 64). TA through TFC or TFCB
	32	Reverse current ±0-20mA (Funzione 32)

Inputs and outputs

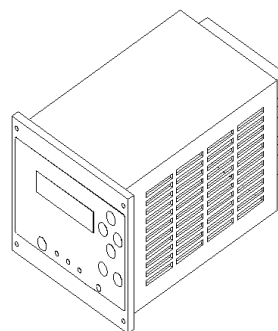
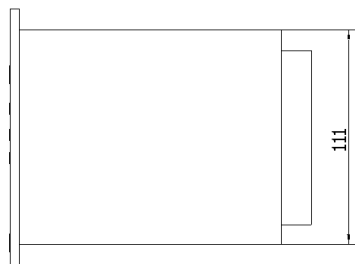
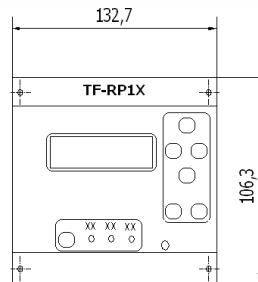
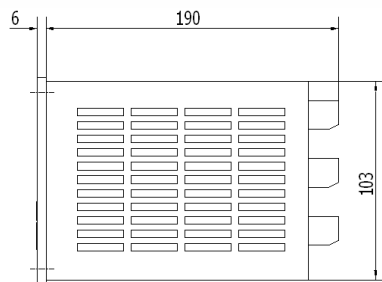
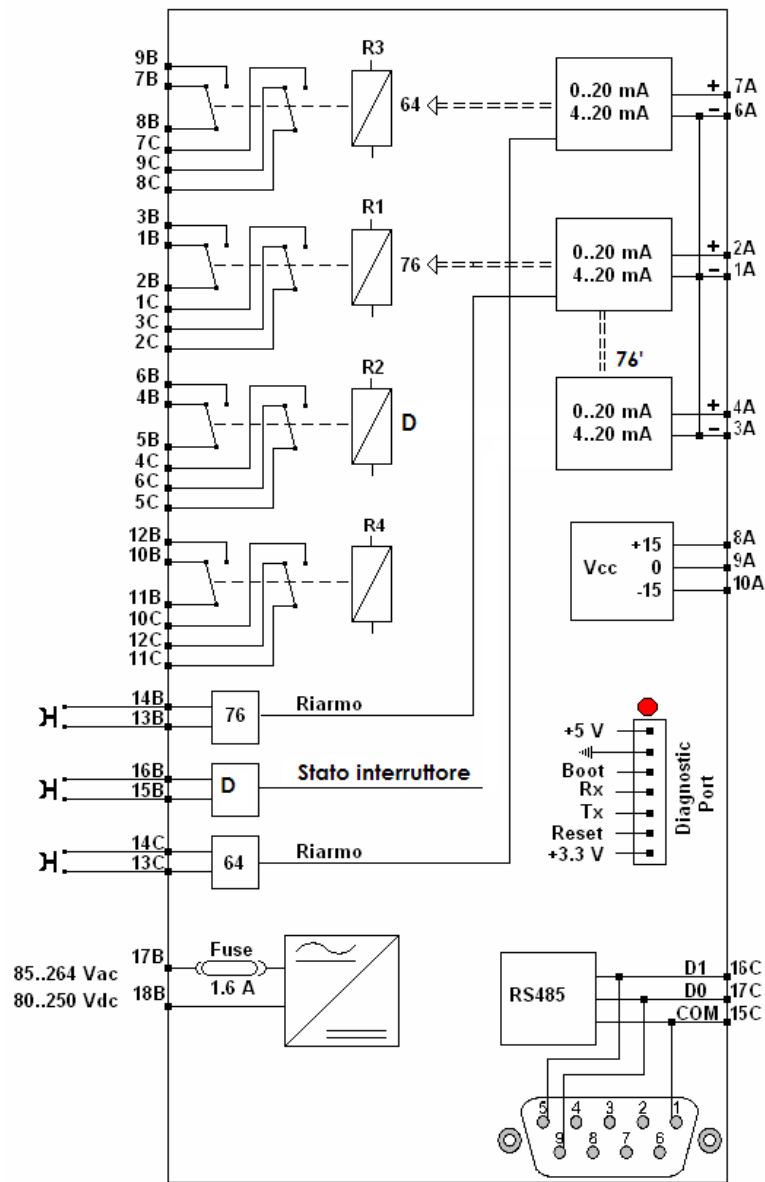
- 3 analog inputs 4..20 mA
- n. 1 relay output for self-test, missing power supply, unconnected cable
- n. 3 relays outputs with double throw, double pole. Each relays is freely programmable for N.O. or N.C. contacts
- n. 1 power supply output (+/- 15Vcc) for external high sensitivity Hall effect sensor.

Communication ports

one RS485 and one RS232 port

Communication protocol

Modbus over RS485



T.EL.FER. s.r.l. - Head office: via Soprasasso 8/2 – 38121 Trento (TN) Registered office : via Marconi 66/B – 15060 Basaluzzo (AL)

VAT registration of ALESSANDRIA n. 02275860068 – REA Number: AL – 241383 Corporate capital € 60.641,00 i.v.

telfer@pec.it info@telfer.it www.telfer.it Tel. (+39) 0461 1590084 Fax (+39) 0461 1590105

THE QUALITY SYSTEM OF T.EL.FER. SRL HAS BEEN FOUND TO COMPLY WITH THE REQUIREMENTS OF UNI EN ISO 9001:2008

CERTIFICATE NUMBER 50 100 11979

DOC: CO0914 /TF RP1X-EDS /001 EMESSO DA: AQ REV: 0 DATA: 18/09/2014

